

Indications For Use

EvaQMax™ Fit is an aspiration sheath that fits over an electroSurgical pencil body and leaves the tip or blade exposed. This device is considered an accessory to an electroSurgical unit (ESU). EvaQMax™ Fit removes surgical smoke during surgical procedures that use ESU for cutting and cauterizing. This device is used in conjunction with a suction (vacuum) source.

Contraindication

This device is not to be used for microsurgery.

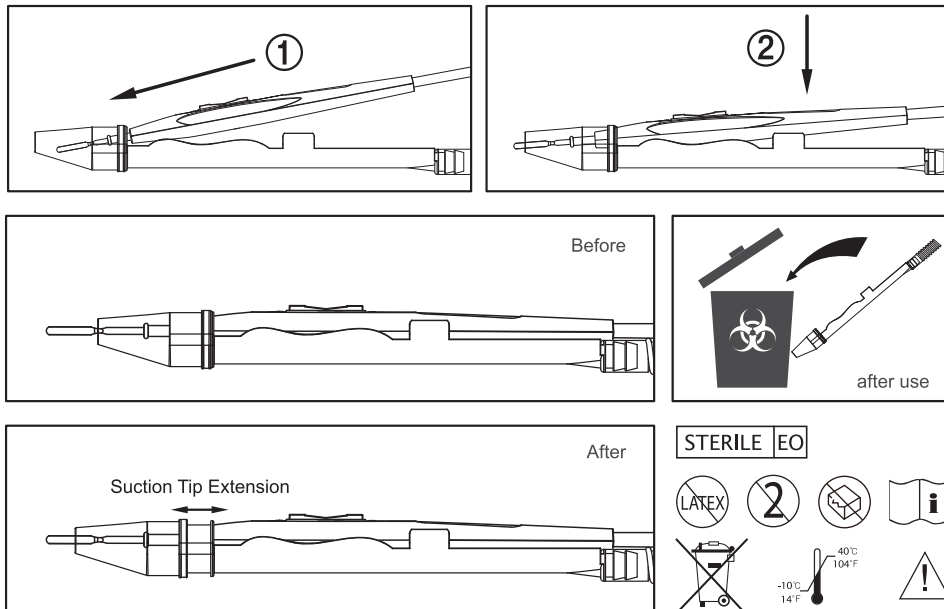
Single use only. Do not reuse, reprocess, or re-sterilize. Reuse, reprocessing, or re-sterilization will compromise integrity of EvaQMax™ Fit and result in patient injury, illness, or death.

Report serious incidents involving this device to MMT at support@medimaxtech.com or to your local distributor.

Instructions for Use

Using aseptic technique, open packaging and remove EvaQMax™ Fit onto the sterile field. At the tip, there is an extension feature that allows maximum smoke evacuation.

To use the extension feature, pull the clear end piece toward the front of the pencil. If no extension is needed, push back the tip from the extended position. Follow steps below.



Indications For Use

EvaQMax™ Fit is an aspiration sheath that fits over an electroSurgical pencil body and leaves the tip or blade exposed. This device is considered an accessory to an electroSurgical unit (ESU). EvaQMax™ Fit removes surgical smoke during surgical procedures that use ESU for cutting and cauterizing. This device is used in conjunction with a suction (vacuum) source.

Contraindication

This device is not to be used for microsurgery.

Single use only. Do not reuse, reprocess, or re-sterilize. Reuse, reprocessing, or re-sterilization will compromise integrity of EvaQMax™ Fit and result in patient injury, illness, or death.

Report serious incidents involving this device to MMT at support@medimaxtech.com or to your local distributor.

Instructions for Use

Using aseptic technique, open packaging and remove EvaQMax™ Fit onto the sterile field. At the tip, there is an extension feature that allows maximum smoke evacuation.

To use the extension feature, pull the clear end piece toward the front of the pencil. If no extension is needed, push back the tip from the extended position. Follow steps below.

